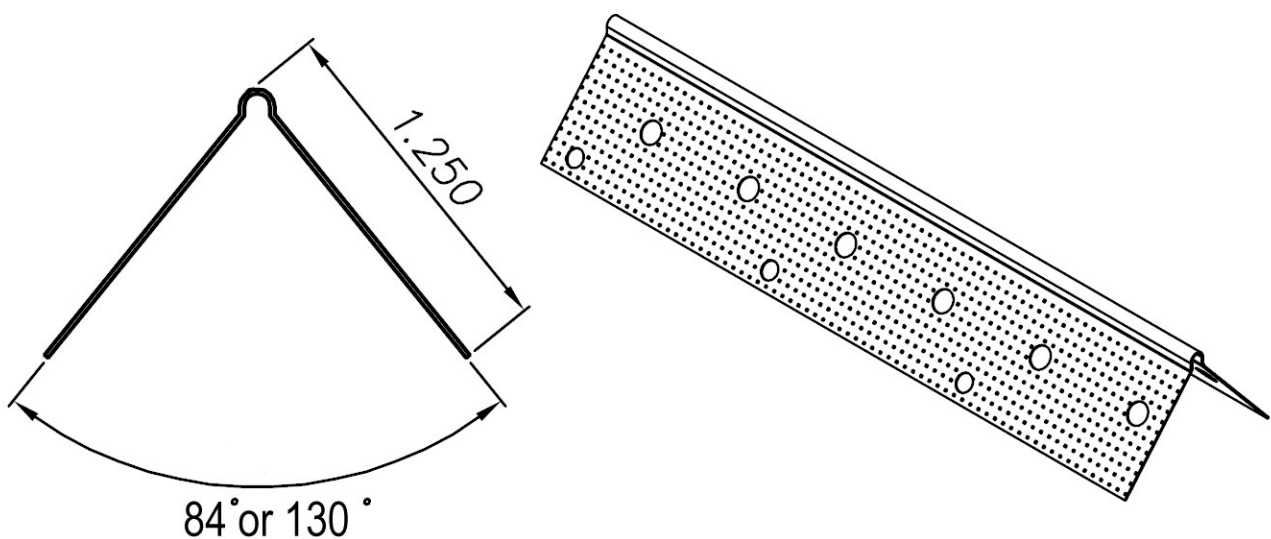


DATA SHEET

Cornerbead



Our cornerbeads conform to Canadian steel standards They are available in standard 7, 8, 9, 10 and 12 foot lengths (90 and 135 Deg).

Standards:

Standards applicables to steel stud systems,
trim and accessories:

Steel Profile, thicknes and dimensions -ASTM C645
Steel Grade - ASTM A1003
Coating (Galvanization) - ASTM A653